

## Croma

### Showerpipe 160 1jet with single lever mixer

Surfaces: **Chrome** Article Number: **27154000**



#### Description

##### product features

- consists of: overhead shower, hand shower, single lever shower mixer, shower hose, slider
- adjustable hot water limitation
- overhead shower Croma 160
- shower head size: 160 mm
- ball-joint: overhead shower angle adjustable
- spray type: Rain
- flow rate Rain spray (at 0.3 MPa): 16 l/min
- operating pressure: min. 0.12 MPa/max. 1.0 MPa
- shower arm length: 270 mm
- height-adjustable hand shower holder
- installation type: exposed installation
- connection dimension DN15
- connection thread G 1/2
- centre distance 150 ± 12 mm
- ceramic cartridge
- rising pipe can be shortened in height

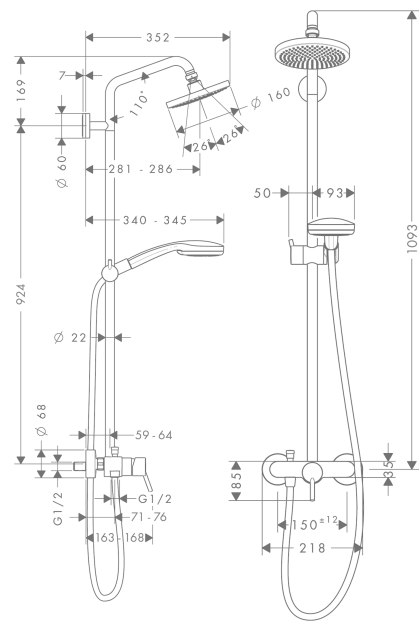
#### Technology



#### Product image



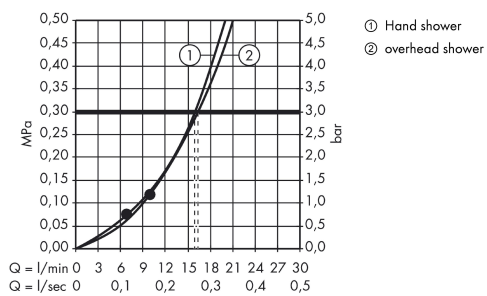
#### Scale drawing



**Croma**  
**Showerpipe 160 1jet with single lever mixer**  
 Surfaces: **Chrome** Article Number: **27154000**



### Flowchart



**Croma**  
**Showerpipe 160 1jet with single lever mixer**  
 Surfaces: **Chrome** Article Number: **27154000**



## Installation examples

