

## Crometta S

**Showerpipe 240 1jet EcoSmart 9 l/min Reno**

Surfaces: **Chrome** Article Number: **27270000**



### Description

#### product features

- consists of: overhead shower, hand shower, shower hose, slider, wall outlet
- slide inclination angle can be adjusted by 45°
- overhead shower Crometta S 240
- shower head size: 240 mm
- ball-joint: overhead shower angle adjustable
- spray type: Rain
- flow rate Rain spray (at 0.3 MPa): 9 l/min
- shower arm length: 350 mm
- height-adjustable hand shower holder
- outlet: overhead shower, hand shower
- water connection: Isiflex shower hose 0.80 m
- installation type: exposed installation
- connection thread G ½
- connection dimension: DN15
- rising pipe can be shortened in height
- scope of supply: Showerpipe Reno, escutcheon, mounting material, assembly instruction

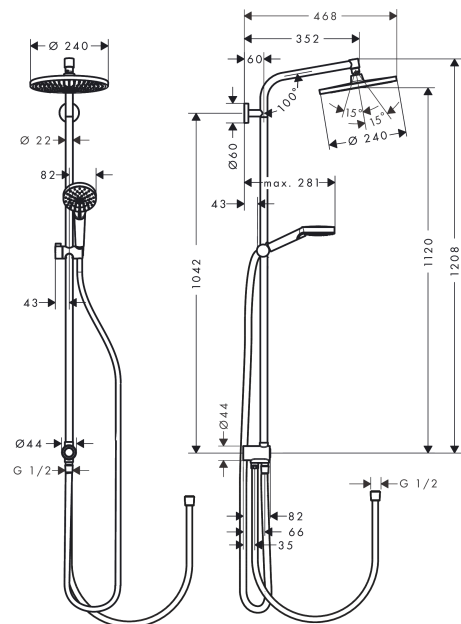
### Technology



### Product image



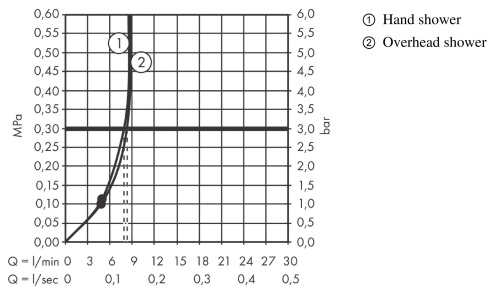
### Scale drawing



**Crometta S**  
**Showerpipe 240 1jet EcoSmart 9 l/min Reno**  
 Surfaces: **Chrome** Article Number: **27270000**



### Flowchart



The consumption was measured in combination with the appropriate fittings (thermostat/mixer/in-wall valve) to reflect actual application in practice.

**Crometta S**  
**Showerpipe 240 1jet EcoSmart 9 l/min Reno**  
 Surfaces: **Chrome** Article Number: **27270000**



## Installation examples

